

## DP-101 DIGITAL PANEL METER



The DP-101 panel meter is a 4-digit programmable meter intended for measurement of temperature, pressure, humidity, flow rate, level, concentration and other analogue units.

The meter is delivered pre-programmed for the specified input.

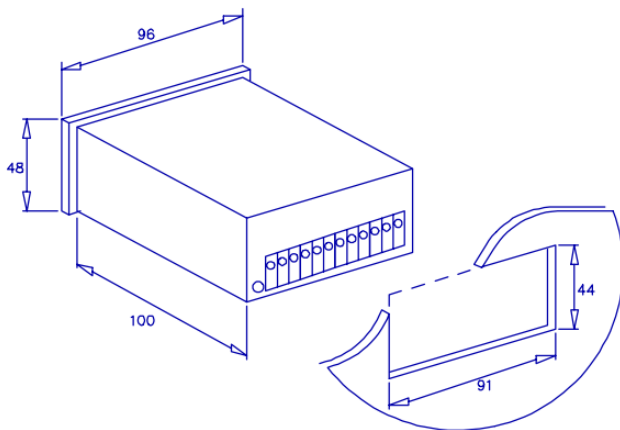
On separate order the meter may also be delivered with 2 adjustable alarm limits, a 4-20

mA current output, and/or for use with a 24 VDC supply.

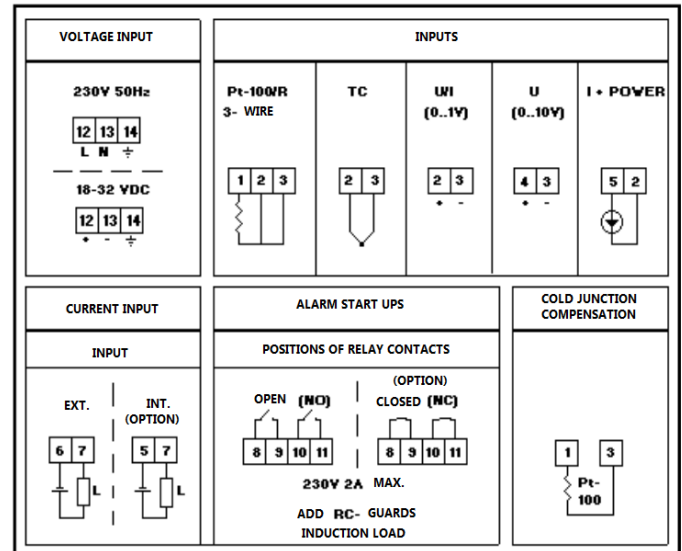
User programming is done using the front panel push buttons and the display. Programming can only be started using a password. In addition to programming the input, output, and alarm limits, the user may set a so-called "snowball filter" for the display so that small changes do not affect the value shown.

The DP-101 has a 96 x 48 x 100 mm flush mounting enclosure and all leads go to the rear of the instrument to spring loaded contacts. The power supply may be either from the mains power 230V 50Hz, or on separate order, 24 VDC/12 VDC.

### CONSTRUCTION



### INTERFACE



## DP-101 DIGITAL PANEL METER

### TECHNICAL DETAILS

Display	4 digits, 7 segments, LED-screen, digit height is 14 mm
Inputs	Can be found from this page (16) of the catalogue
Measurement speed	> 5 measures / seconds
Alarm limits (options)	Two adjustable upper- and lower limits, relay starts (su/av-peaks, max. 230V 2A), adjustable hysteresis values and limit specific delays, indicating lights at the front panel
Analogy start (options)	4-20 mA current input, max. load 1 kohm / 48 V
Autocalibration	Constant
Accuracy	0,1% from the range +/- 1 number
Operating temperature	0...+60 °C, effect < 50 ppm/°C
Voltage input	230 V 50 Hz +/- 10 % or 24 VDC (options), power dissipation ~ 5 W