

## DP-151-B RESISTANCE BRIDGE METER

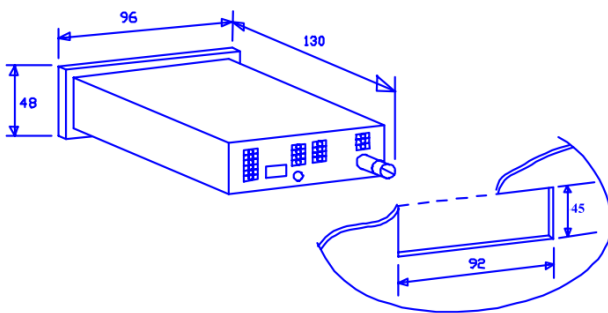
The DP-151-B panel meter is intended for use in resistance bridge measurements (extension, load weight etc.), it can be programmed to give linear and non-linear display of range settings.

Two adjustable alarm limits are standard in the meter and direction of operation, hysteresis, and delay may be programmed. Alarm limits provide contact closure relay control (opening contacts on separate order). The meter may also be obtained with two additional alarm limits, transistor outputs, and analogue (4-20 mA)



output. In the standard version the power supply is 230 V 50 Hz, but on separate order 24 VDC power is available. The meter can also supply power to the input of the bridge circuit, and if required, also a current output. In tare/offset setting the true net value is easy to define and to read. Using the read push button, the gross value and gross/net value, minimum/maximum values may be shown.

### CONSTRUCTION



### TECHNICAL DETAILS

Display	4 numbers, 7 segments, LED-display, digit height 14 mm
Inputs	Two adjustable ranges: 1) 0...+100 mV (whole -99,99...+120,0) and 2) 0...+20 mV (whole range -99,99...+25,00) Ability to separate: 2 mV / 10 mV Linear/Unliner display adjustability
Measurement speed	> 5 measures / second
Alarm limits	1) two adjustable upper- and lower-limits, relay controls (SU/AV-peaks, max- 230 V 2A) 2) two adjustable additional limits with oc- controls, hysteresis and limit specific values must be adjusted for the limits
Analogy start	4-20 mA current signal, max. load 1 kohm / 48 V
Accuracy	0,1% from the range +/-1 number
Operating temperature	0...+60 °C, effect <50 ppm/°C
Supply voltage	230 V 50 Hz, +/-10 % or 24VDC

# INTERFACE

