

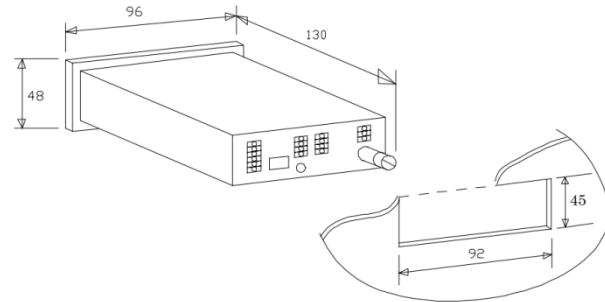
DP-153 3 CHANNEL PANEL METER



The DP-153 panel meter is intended for temperature measurements using Pt-100 ohm resistance sensors (2 or 3 wire system) or 0-1V voltage measurements.

As standard the meter has two adjustable alarm limits with direction of operation, hysteresis, and delay settings. The alarm limits give relay contact closure control (opening contacts to separate order). Alarm limits are for all channels combined, so that whichever channel exceeds the

limit, the alarm relay will be activated. The alarm relay output is cancelled when the measured value on all channels has returned to the normal range.



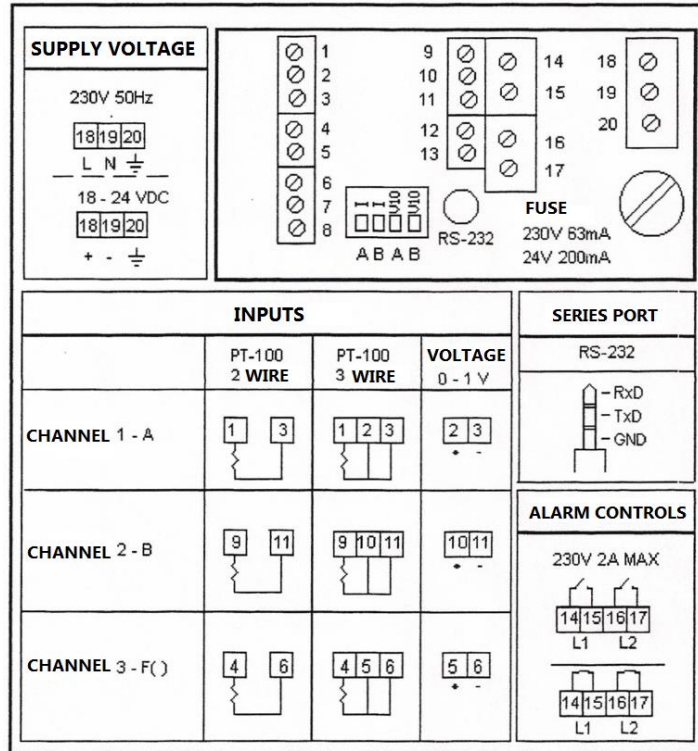
The front panel indicator

lights show which channel is shown on the display (A/B/F), the alarm state for the different limits (L1/L2), and transfer to the programming state (Pg). The display can also continuously show the minimum and maximum values for the channels. All selections and settings are made using the front panel push buttons. The standard power supply is 230V 50Hz, but 18-32 VDC versions are available on special order.

TECHNICAL DETAILS

Display	4 numbers, 7 segments, LED display, digit height 14 mm
Inputs	1) Pt-100 ohm resistance sensor - 2 or 3 wire system. range -200...+800 °C, ability to separate 0,1°C 2) 0-1V voltage signal with scalable display - input impedance > 100 MΩ, ability to separate 100 μV
Measurement speed	> 5 measures / second
Alarm limits	Two mutual, adjustable upper - and lower limits with relay controls (SU/AV-peaks max. 230 V 2A) with delay- and hysteresis- settings
Self-calibration	Constant
Accuracy	0,1% from the range +/-1 number
Operating temperature	0...+60 °C, effect <50 ppm/°C
Supply voltage	230 V 50 Hz, +/-10 % or 24VDC

INTERFACE



ORDER INFORMATION

DP-153 meter with freely programmable inputs:

Pt-100 ohm, 2 or 3 wire connection direct display °C

Voltage, range -1...+1V, scalable display